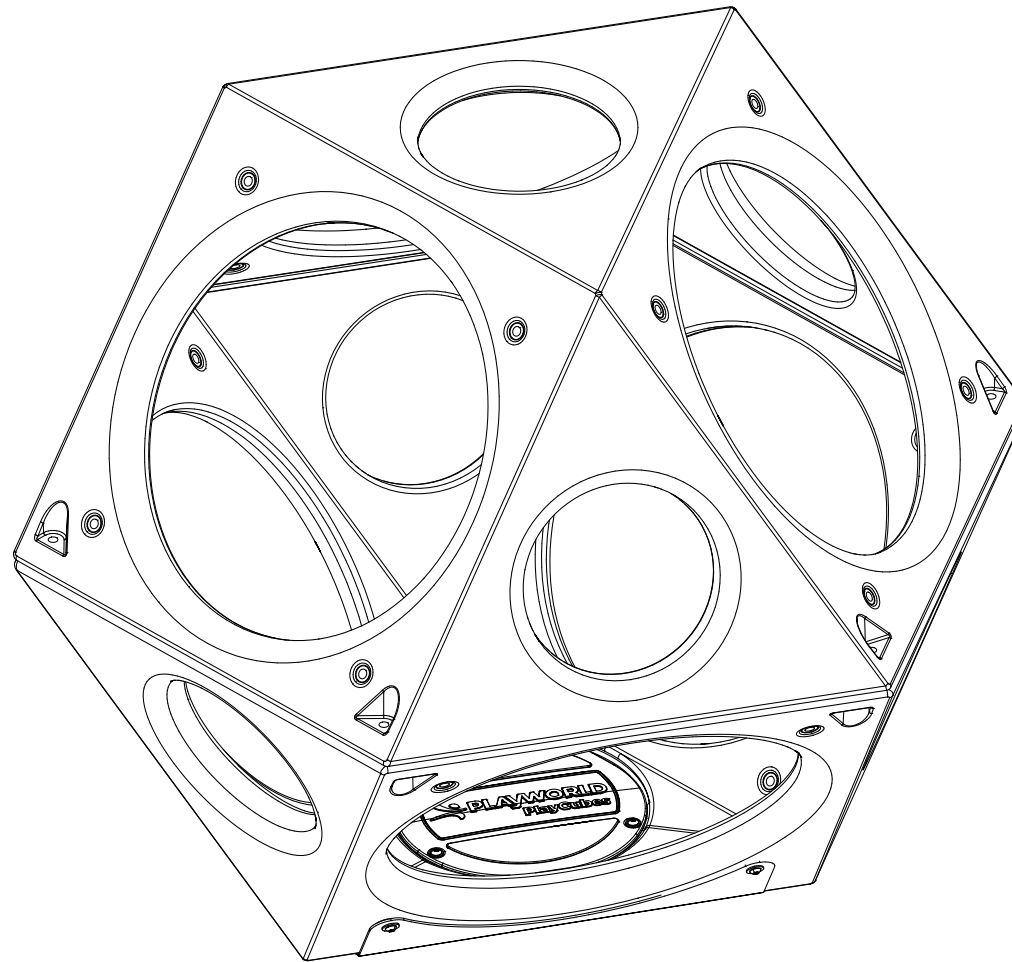
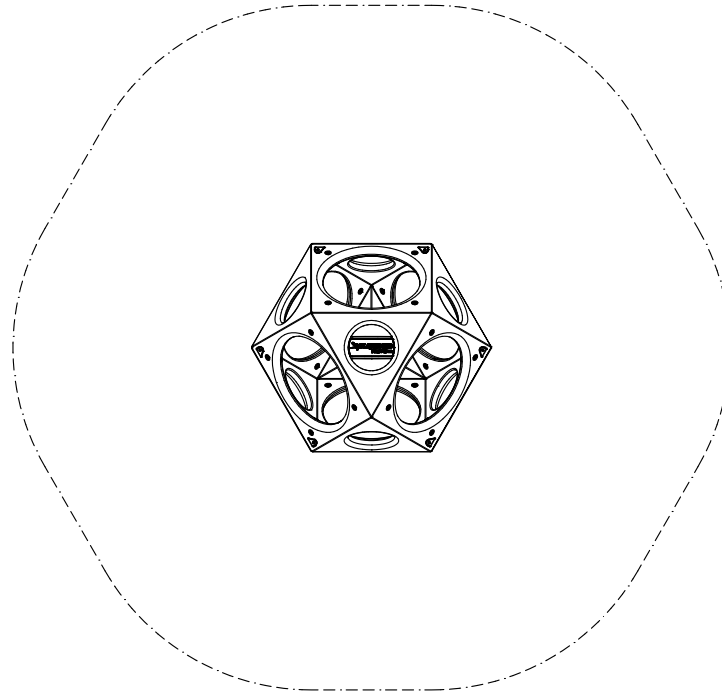


OM



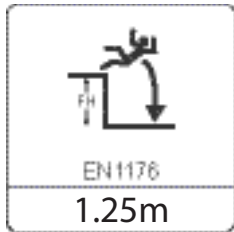
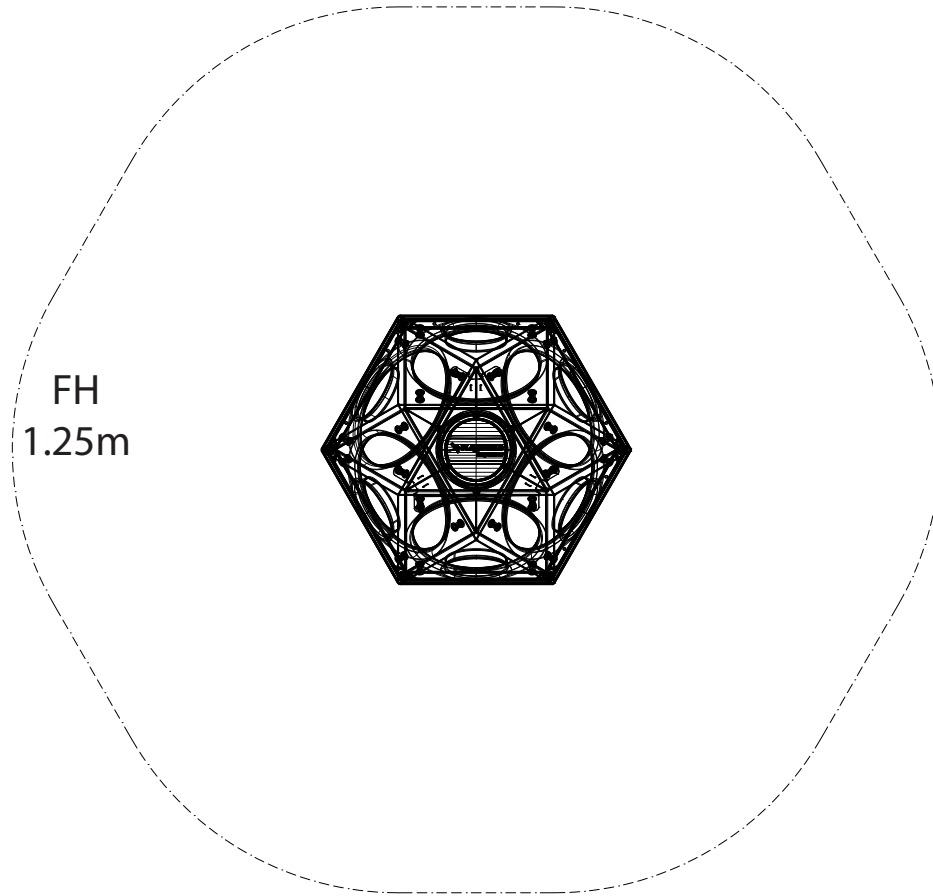
← 4.50m →

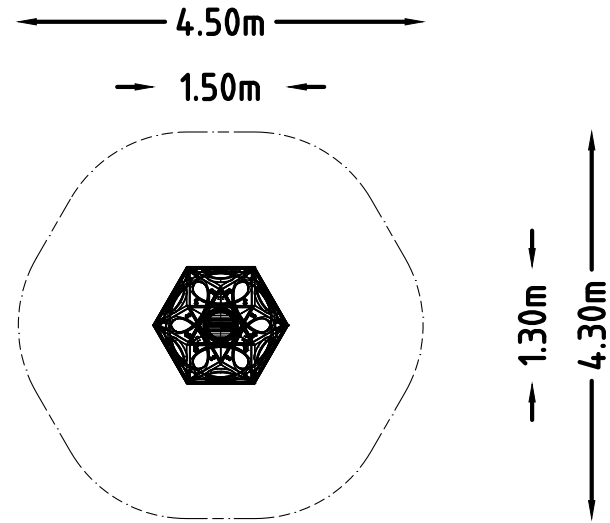
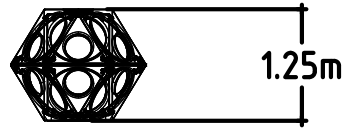
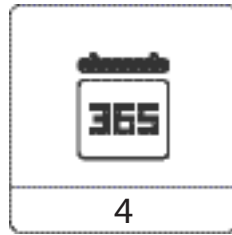
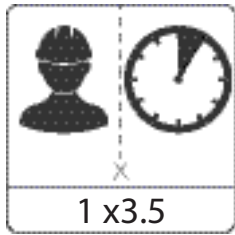
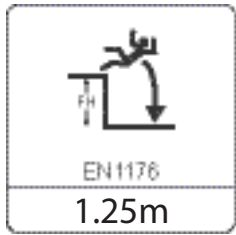
→ 1.50m ←



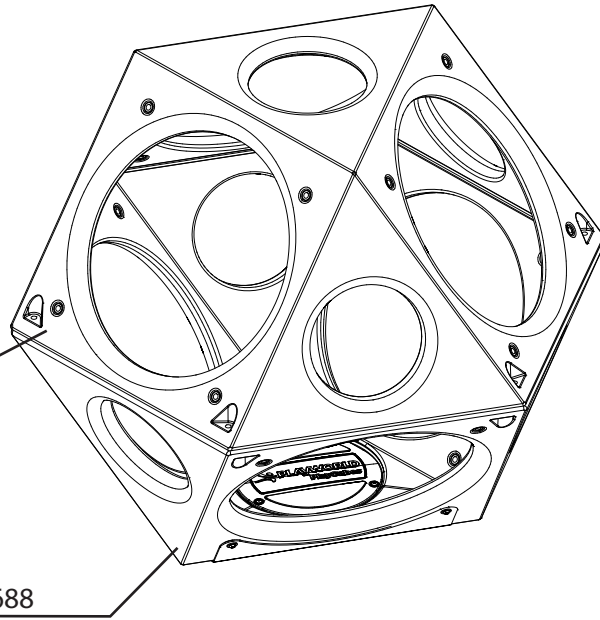
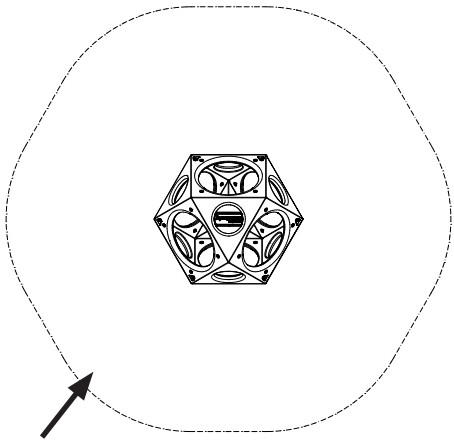
↑ 1.30m ↓

↑ 4.30m ↓





MASW76688



260329



MASW76688